

# LV INTELLIGENT HOUSEHOLD ENERGY STORAGE SYSTEM

## RenonEBrick

- Rack-mount design, maximum 32 units in parallel
- Allows customization and simple installation
- 10 years service life, high safety, long battery life (up to 8000 cycles)



Renon EBrick Series is a low voltage household battery storage system that is possible to store energy from photovoltaic, generator and grid after connecting to the inverter. Its rack mounted installation allows for rapid build to any home, and improved surge power capacity brings whole home backup in a compact system.

EBrick can support up to 32 systems connected in parallel, which can be perfectly adjusted for different energy usage. The Intelligent EMS platform enables users to customize system behavior and monitor the system operation.

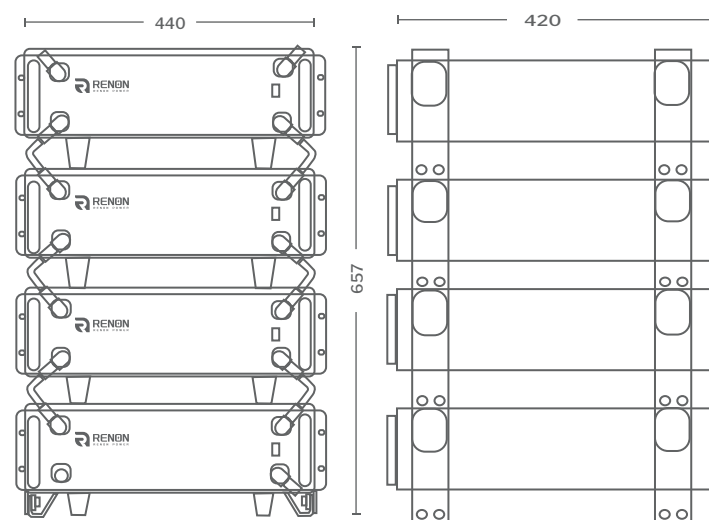
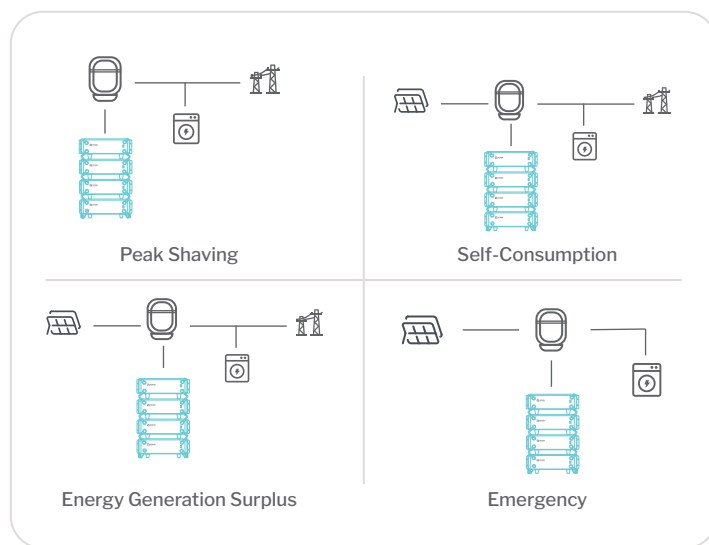
## Battery

Battery Chemistry	Lithium Iron Phosphate
Cell Capacity (Ah)	100
Nominal Energy (kWh)	5.12
Default Voltage (V)	51.2
Voltage Range (V)	43.2~59.2
Max. Operation Current (A)	95
Primary Overcurrent Protection (A)	98@10S
Secondary Overcurrent Protection (A)	120@2S
Max. Charging Voltage (V)	58.4
Discharge Cut-off (V)	43.2
Recommended Charging Voltage (V)	56.8

## General Parameters

Parallel Capacity	Maximum 32units
Dimension(W*D*H)	440*420*132mm (17.3*16.5*5.2 in)
Net Weight(Approximate)	45kg(99.2lb)
Storage Conditions	-20°C to 55°C/-4°F to 131°F (0°C to 35°C/32°F to 95°F Recommended) Up to 90%RH, non-condensing Initial SoC: 50%
Operating Temperature	Discharge: -20°C to 50°C/-4°F to 122°F Charge: 0°C to 50°C/32°F to 122°F
Cooling	Natural Cooling
Max. Operating Altitude	3000 m(9843ft)
Service Life	8000 times
Communication	RS485/CAN/WiFi

## System Layout



## System Characteristic

Battery Compliances	IEC 62619, UN 38.3, UL1973 <sup>[1]</sup> , CE-RED
Installation Method	Rack Mounting
Installation Scene	Indoor
Enclosure	IP20
Warranty	5 Years + 5 Years <sup>[2]</sup>

[1] Pending Certification

[2] Please refer to the warranty manual for details

# LV Wall-Mounted HOUSEHOLD ENERGY STORAGE SYSTEM

## RenonXcellent

- Safe and stable LFP, great-performance processors
- Flexible, lightweight, to meet the power need of the individual building unit
- Minimalist design, easy installation, less noise, makes it ideal for residential fitment
- Strongly compatible, perfect-solving compatibility puzzles
- Resilient store and discharge, capable of being emergency backup power



Renon Xcellent is a wall-mounted residential energy storage system. Its streamlined design makes it suitable for a variety of decor styles and is also easy to install and maintain.

The nominal energy is 5.12 kWh, which is appropriate for the basic needs of the vast majority.

As a trusted partner, we have strived to provide more robust residential energy solutions and ensure that Xcellent, as part of HESS services, is compatible with mainstream inverters.

The product adopts self-created intelligent energy management system which improves performance and extends service life.

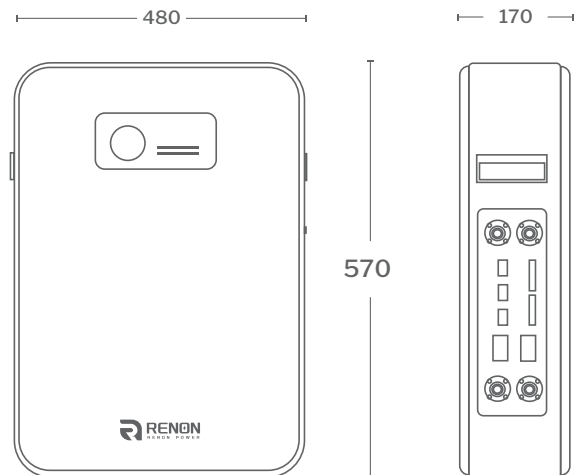
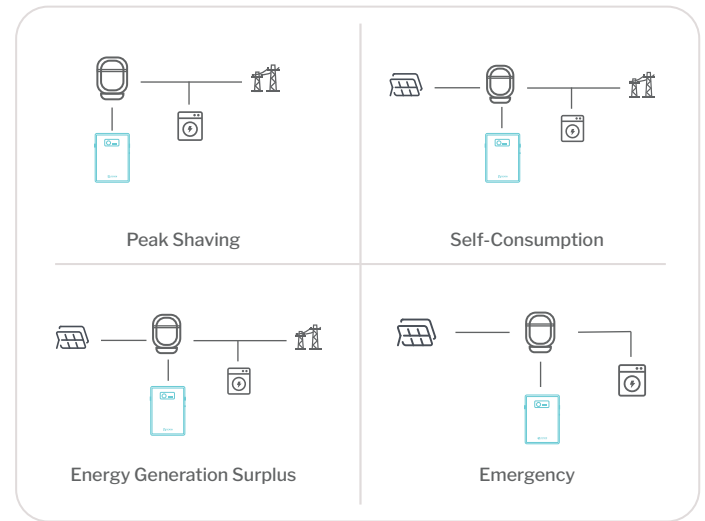
## Battery

Battery Chemistry	Lithium Iron Phosphate
Cell Capacity (Ah)	100
Nominal Energy (kWh)	5.12
Default Voltage (V)	51.2
Voltage Range (V)	43.2~59.2
Max. Operation Current (A)	95
Primary Overcurrent Protection (A)	98@10S
Secondary Overcurrent Protection (A)	120@2S
Max. Charging Voltage (V)	58.4
Discharge Cut-off (V)	43.2
Recommended Charging Voltage (V)	56.8

## General Parameters

Parallel Capacity	Maximum 32 units
Dimension (W*D*H)	480*170*570mm(18.9*6.7*22.4in)
Net Weight (Approximate)	54kg(119lb)
Storage Conditions	-20°C to 55°C/-4°F to 131°F (0°C to 35°C/32°F to 95°F Recommended) Up to 90%RH, non-condensing Initial SoC: 50%
Operating Temperature	Discharge: -20°C to 50°C/-4°F to 122°F Charge: 0°C to 50°C/32°F to 122°F
Cooling	Natural Cooling
Max. Altitude	3000m (9843ft)
Service Life	8000 times
Communication	RS485/CAN/WiFi

## System Layout



## System Characteristic

BESS Compliances	IEC 62619, UN 38.3, UL1973 <sup>[1]</sup> , CE-RED
Installation Method	Wall Mounting
Installation Scene	Indoor
Enclosure	IP20
Warranty	5 Years + 5 Years <sup>[2]</sup>

[1] Pending Certification

[2] Please refer to the warranty manual for details

# LV INTELLIGENT HOUSEHOLD ENERGY STORAGE SYSTEM

## RenonXtreme

- One-key power on
- Stacked assembly, simple installation, and modular design gives flexibility
- High safety, long battery life (up to 8000 cycles)
- Wi-Fi connectivity facilitate over-the-air updates



Renon Xtreme Series is a household battery storage system that is possible to store energy from photovoltaic, generator and grid after connecting to the inverter. Its stacked installation allows for rapid build to any home, and improved surge power capacity brings whole home backup in a compact system. The intelligent EMS platform enables users to customize system behavior and monitor the system operation.

LV BESS Specification	2 Modules	3 Modules	4 Modules	5 Modules	6 Modules
Nominal Energy (kWh)	10.24	15.36	20.48	25.6	30.72
Max. Operation Current (A)	190	285	300	300	300
Peak for 10s (A)	196	294	392	490	500
Peak for 2s (A)	240	360	480	500	500
Max. Charging Voltage (Vdc)				58.4	
Discharge Cut-off (Vdc)				43.2	
Nominal Voltage (Vdc)				51.2	
Recommend Charging Voltage (Vdc)				56.8	
Dimension (W*D*H)	635*268*795mm 25*10.6*31.3in	635*268*1023mm 25*10.6*40.3in	635*268*1250mm 25*10.6*49.2in	635*268*1478mm 25*10.6*58.2im	635*268*1705mm 15*10.6*67.1in
Net Weight (Approximate)	141kg 311lb	194kg 428lb	247kg 545lb	300kg 661lb	353kg 778lb

## General Parameters

Scalability	Max. 30 systems in parallel
Storage Conditions	-20°C to 55°C/-4°F to 131°F (0°C to 35°C/32°F to 95°F Recommended) Up to 90%RH, non-condensing Initial SoC: 50%
Operating Temperature	Discharge: -20°C to 50°C/-4°F to 122°F Charge: 0°C to 50°C/32°F to 122°F
Cooling	Natural Cooling
Max. Altitude	3000m (9843ft)
Service Life	8000 times
Communication	RS485/CAN/WiFi

## System Characteristic

Battery Compliances	IEC 62619, UN 38.3, UL1973 <sup>[1]</sup> , CE-RED
Installation Method	Stack Mounting
Installation Scene	Indoor or Outdoor
Enclosure	IP65
Warranty	5 Years + 5 Years <sup>[2]</sup>

[1] Pending Certification

[2] Please refer to the warranty manual for details

## System Layout

