

Double Speed Rail



MATERIAL:

20GA.430S/S speed rail

CONSTRUCTION:

Fully welded

DIMENSIONS and SPECIFICATIONS

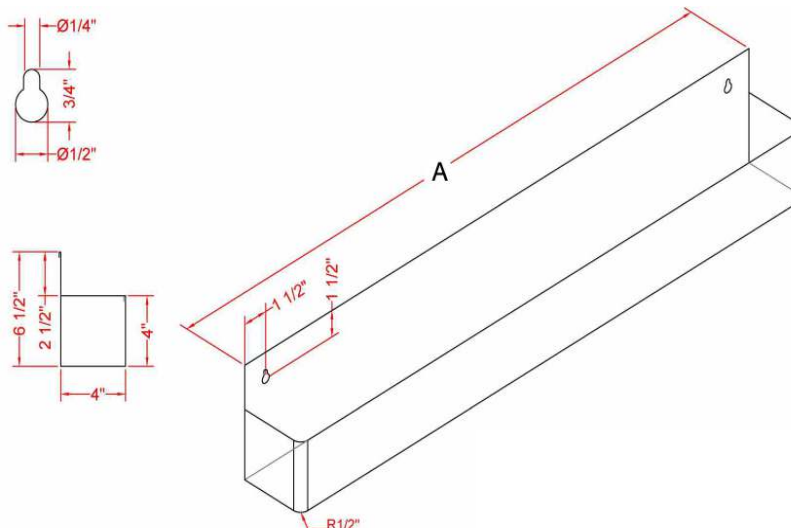
Single Speed Rail

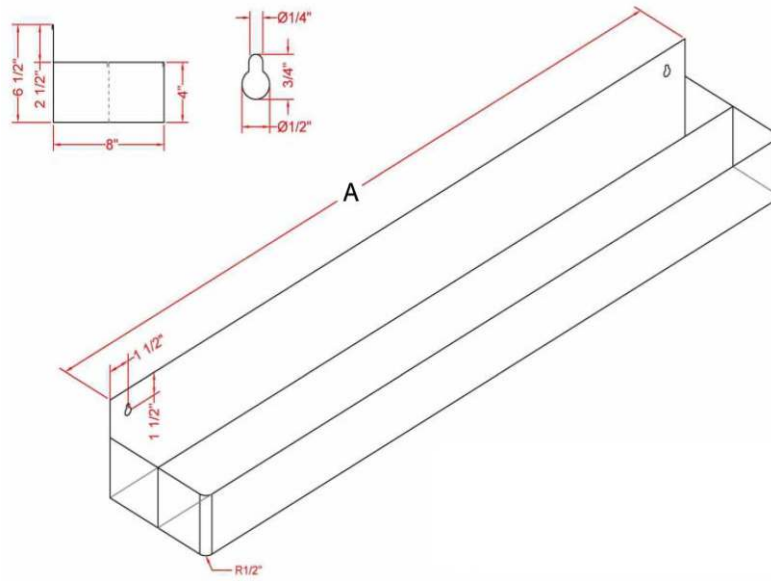
MODEL	SIZE	G.W.
17censsr4-24a	4"X24"X6-1/2"H	6 lbs
17censsr4-36a	4"X36"X6-1/2"H	9 lbs
17censsr4-48a	4"X48"X6-1/2"H	13 lbs
17censsr4-60a	4"X60"X6-1/2"H	15 lbs

Double Speed Rail

MODEL	SIZE	G.W.
17cendsr4-24a	8"X24"X6-1/2"H	11 lbs
17cendsr4-36a	8"X36"X6-1/2"H	15 lbs
17cendsr4-48a	8"X48"X6-1/2"H	20 lbs
17cendsr4-60a	8"X60"X6-1/2"H	24 lbs

SPEC DRAWING:





CENTURION
STAINLESS STEEL - QUALITY - ENDURANCE

Distributed by masterchefpr.com

Tel: 787 788-2264 / 787 788-2269 / 787 275-1643