

Item # \_\_\_\_\_

Qty # \_\_\_\_\_

Model # \_\_\_\_\_

Project # \_\_\_\_\_



# MASTER CHEF

## DELUXE FROZEN BEVERAGE DISPENSER

18MCX1 / 18MCX2 / 18MCX3



Metal Handle



Water Tray with  
Float Indicator



Touch-Pad  
Controller

### FEATURES

- The lowest brix of the ingredients minimized to 3%.
- Hot gas defrost system on the evaporator.
- Easy-to-use & touch-pad controls include a slush mode with consistency control or frozen drinks model with temperature control.
- LED illumination with adjustable light colors.
- Advanced ventilation design, air flow from the bottom to the back, easy to clean the condenser filter.
- High density anti-cracking polycarbonate bowl with lock hole, BPA free.
- Separately control for each bowl, each bowl could operate individually.
- Easy-to remove tap design, available for grain ingredients.
- Available for various ingredients, such as water-base, milk-base, alcohol -base drinks ( Maximum 20% alcohol)

Distributed by [masterchefpr.com](http://masterchefpr.com)



787788-2264 787788-2269 787275-1643

787308-2132

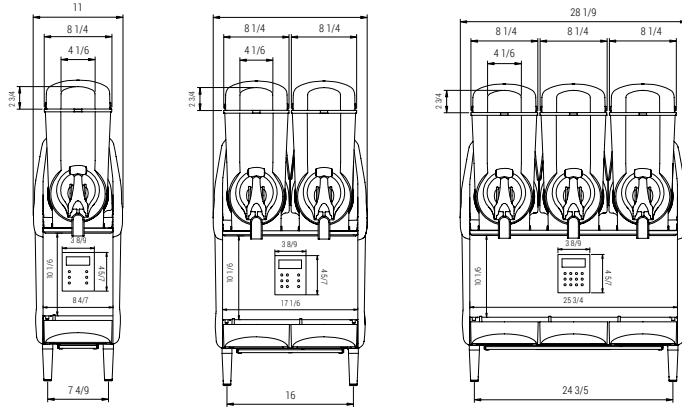
Royal industrial Park 500 carr 869  
suite 1003 Catano, PR 00966

[ventas@masterchefpr.com](mailto:ventas@masterchefpr.com)

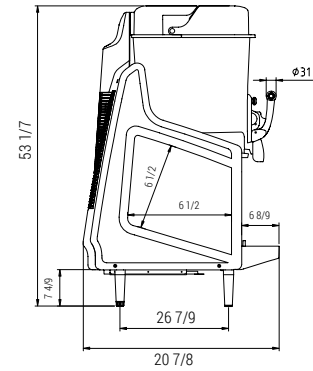
# DETAILS & SPECIFICATIONS

## 18MCX1 / 18MCX2 / 18MCX3

FRONT VIEW



SIDE VIEW



Model	18MCX1	18MCX2	18MCX3
Temperature Range (Frozen Mode)(°F)		28.4 ~ 10.4	
Temperature Range (Juice Mode)(°F)		33.8 ~ 44.6	
Width (in)	11.02	19.53	28.11
Depth (in)		24.02	
Height (in)		37.01	
Capacity	12L	24L	36L
Voltage		120V/60Hz	
Amps (A)	5A	8.45A	9.94A
Illumination (LED Light)	64 colors	64 colors	64 colors
Refrigerant Type		R290	
Climate Class		Class 4	
Net Weight (lbs)	77	125	172
Gross Weight (lbs)	110	169	224
Packing Dimensions (inches)Width	13.62	22.05	30.63
Packing Dimensions (inches)Depth	24.41	24.41	24.41
Packing Dimensions (inches)Height	42.91	42.91	42.91
Container Capacity/ 40HQ	272	160	120

**MASTER CHEF**

Distributed by [masterchefpr.com](http://masterchefpr.com)



☎ 787788-2264 787788-2269 787275-1643

☎ 787308-2132

Royal industrial Park 500 carr 869  
suite 1003 Catano, PR 00966

✉ [ventas@masterchefpr.com](mailto:ventas@masterchefpr.com)