

Item # _____
 Qty # _____
 Model # _____
 Project # _____



MASTER CHEF

ELECTRIC FRYER 18MCD CF15ED

High efficiency hotline, fast heating speed, uniform temperature, and energy saving.



FRYER MODEL	DIMENSION		
	Width	Depth	Height
18MCD CF15ED	25 3/4 in	18 5/8 in	12 1/4 in



Oil tank

Fryer Baskets

Knobs



PRODUCT DESCRIPTION

- ✦ The furnace body is made of stainless steel, and the oil basin is thickened stainless steel, resulting in a robust structure that boasts exceptional durability.
- 🛒 The whole machine design is novel, reasonable structure and convenient operation.
- 👨‍🍳 Humanized cooking, easy and comfortable.
- 💡 The handles are designed to remain cool to the touch, preventing burns and providing a comfortable grip. Additionally, the detachable parts make cleaning effortless.
- 🔧 The thermostat is designed with a power button switch to extend its lifespan, as well as automatic heating shut-off when the desired temperature is attained, and automatic restart when the temperature falls below the set point.



HIGH QUALITY STAINLESS STEEL & ROBUST DESIGN

Distributed by masterchefpr.com



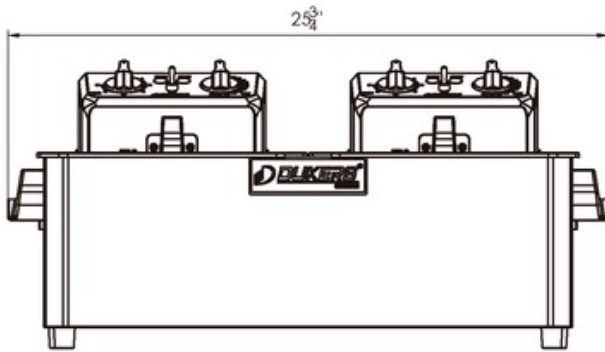
royal ind park lote j-2 carr 869 km
 1.5 bo palmas catano pr 00962

- ✉ ventas@masterchefpr.com
- ☎ 787788-2264 787788-2269 787275-1643
- 📞 787308-2132

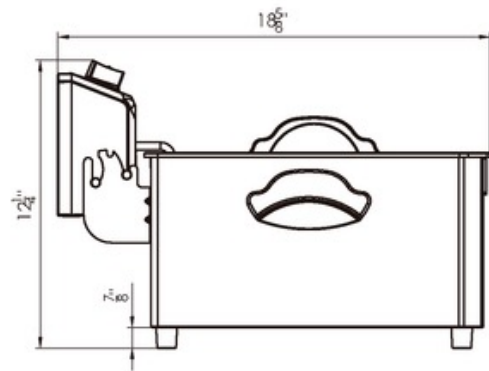
DETAILS & SPECIFICATIONS

18MCDCF15ED

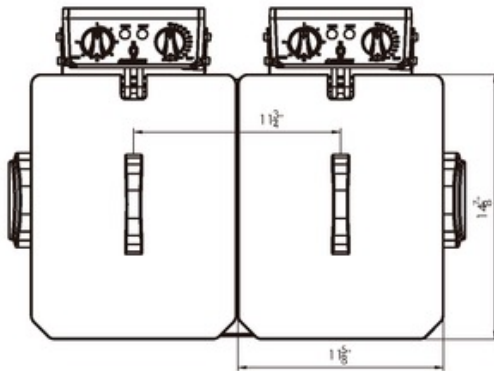
Front View



Side View



Top View



18MCDCF15ED

BASKET SIZE	11"x9"x4 3/5"
NUMBER OF BOXES	2
CYLINDER CAPACITY (L)	7L+7L
VOLTAGE (V)	AC208
POWER (W)	2@3000W
NEMA (Plug Type)	6-20P
CURRENT (A)	2@14.4A

Model	Packaging Dimensions (inches)			Net Weight (lbs)	Ship Weight (lbs)
	W	D	H		
18MCDCF15ED	28 1/8"	21 3/8"	14 3/8"	29.8	35



Distributed by masterchefpr.com



royal ind park lote j-2 carr 869 km
1.5 bo palmas catano pr 00962

ventas@masterchefpr.com
 787788-2264 787788-2269 787275-1643
 787308-2132