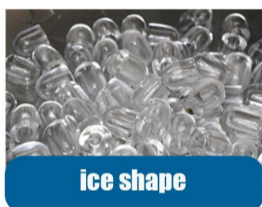


Item # _____
 Qty # _____
 Model # _____
 Project # _____



DELUXE BULLET ICE MACHINE

18MCSK-39C



FEATURES

1. Energy Star/ DOE/ ETL/ ETLS Certification
2. Exterior with 304 stainless steel
3. High quality compressor and durable fan motors
4. Digital control panel with ice thickness adjust function
5. Automatic fault alert system & cleaning system
6. Removable air filter and water filter design
7. Environmental Friendly Food Grade Materials

Distributed by masterchefpr.com

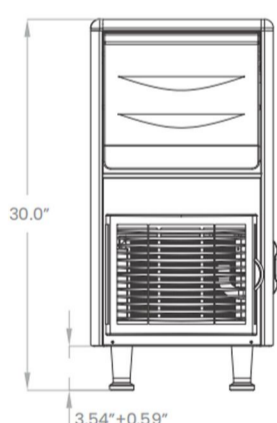


☎ 787788-2264 787788-2269 787275-1643
 📞 787308-2132
 Royal industrial Park 500 carr 869
 suite 1003 Catano, PR 00966
 @ ventas@masterchefpr.com

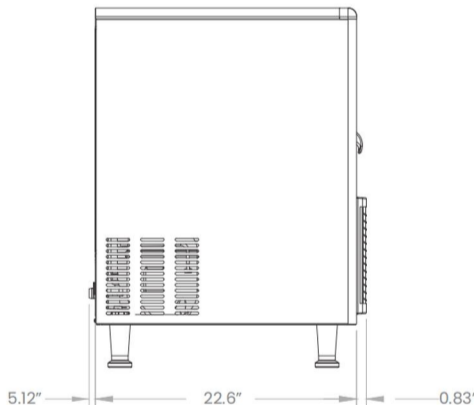
DETAILS & SPECIFICATIONS

18MCSK-39C

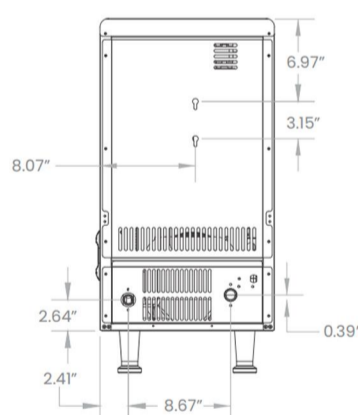
FRONT VIEW



SIDE VIEW



REAR VIEW



Model	18MCSK-39C
Ice Capacity	77 lbs/24hrs
Ice Storage	33 lbs
Power	380W
Net Weight (lbs)	86 lbs
Gross Weight (lbs)	94.6 lbs
Width (in)	14.8 in
Depth (in)	22.6 in
Height (in)	30 in
Voltage	110V/60HZ
Refrigerant Type	R290
Packing Dimensions (inches)Width	18.5 in
Packing Dimensions (inches)Depth	26.2 in
Packing Dimensions (inches)Height	29.1 in



Distributed by masterchefpr.com



☎ 787788-2264 787788-2269 787275-1643
 📞 787308-2132
 Royal industrial Park 500 carr 869
 suite 1003 Catano, PR 00966
 @ ventas@masterchefpr.com