

Item # _____
 Qty # _____
 Model # _____
 Project # _____



DELUXE CUBE ICE MACHINE

18MCSK-89S



ice shape



FEATURES

1. Energy Star/ DOE/ ETL/ ETLs Certification
2. Exterior with 304 stainless steel
3. High quality compressor and durable fan motors
4. Anticorrosive chemical nickel plated evaporator
5. Automatic fault alert system & cleaning system
6. Digital control panel with ice thickness adjust function
7. Removable air filter and water filter design
8. Environmental Friendly Food Grade Materials
9. With LED illumination

Distributed by masterchefpr.com

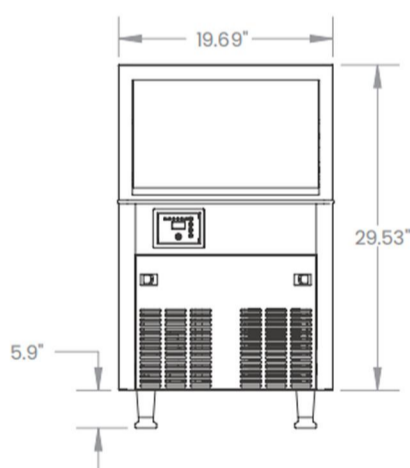


☎ 787788-2264 787788-2269 787275-1643
 📞 787308-2132
 Royal industrial Park 500 carr 869
 suite 1003 Catano, PR 00966
 @ ventas@masterchefpr.com

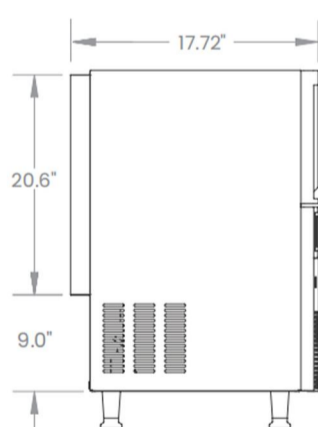
DETAILS & SPECIFICATIONS

18MCSK-89S

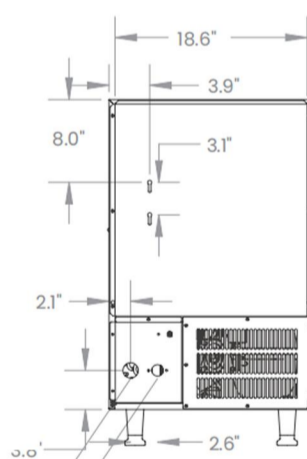
FRONT VIEW



SIDE VIEW



REAR VIEW



Model	18MCSK-89S
Ice Capacity	80 lbs/24hrs
Ice Storage	33 lbs
Power	350W
Net Weight (lbs)	79 lbs
Gross Weight (lbs)	88 lbs
Width (in)	19.69 in
Depth (in)	17.72 in
Height (in)	35.43 in
Voltage	110V/60HZ
Refrigerant Type	R290
Packing Dimensions (inches)Width	22.8 in
Packing Dimensions (inches)Depth	20.9 in
Packing Dimensions (inches)Height	32.9 in



Distributed by masterchefpr.com



☎ 787788-2264 787788-2269 787275-1643
 📞 787308-2132
 Royal industrial Park 500 carr 869
 suite 1003 Catano, PR 00966
 @ ventas@masterchefpr.com