



Bakery Display

Instructions Manual



Model: 18MCER730V 18MCER740V 18MCER750V
18MCEK730A 18MCEK740A 18MCEK750A
(120V~60Hz)

Read these operating instructions carefully before using the machine

01/2025

Distributed by masterchefpr.com



787788-2264 787788-2269 787275-1643

787308-2132

Royal industrial Park 500 carr 869
suite 1003 Catano, PR 00966

ventas@masterchefpr.com

Index

Warning-----	1
Installation-----	2
How to Use-----	3
Maintenance-----	4
Instructions for Disposal-----	5
Technical Specifications-----	5
Working principle diagram-----	6
Trouble Shootings-----	7
Structure Diagram-----	8

Warning:

1. This instruction manual is an integral part of the machine and must be kept for any further consultation.
 2. Never try to use this machine for applications which are not described in the instructions or for the units intended purpose.
 3. This machine should be used only for the purpose for which it was designed. Any other use is inappropriate and therefore dangerous. The manufacturer will not be held responsible for any damage caused by improper use.
 4. Before installing and operating on the machine read the operation manual.
 5. Unplug the machine from outlet when not in use, before putting on or taking off parts, and before cleaning. Do not power unit through a power board or extension cord.
 6. Be sure to unplug the machine if not using the machine for a long time.
 7. If the supply cord is damaged, it must be replaced by the manufacturer, its service agent or similarly qualified persons to avoid a hazard.
 8. Do not use the machine in a dusty environment or in an explosive atmosphere (flammable gases and vapors from organic solvents)
 9. The motor is permanently lubricated and will require no oil.
 10. Repairs, when necessary, must be performed by an authorised service agent
 11. The machine is suitable for indoor use only.
 12. Basic safety rules:
 - a. Do not touch the machine when hands or feet are wet
 - b. Do not allow the machine to be used by children or untrained persons.
 - c. Do not leave the machine outside.
 - d. Do not pull on the electrical cord when unplugging the machine.
- The company reserves the right to modify the construction or appearance without notice

Installation :

Useful instruction for transport

In order to prevent oil contamination in the hermetic compressor from flowing into the cooling circuit, it is necessary to always carry, store and handle the machine in a vertical position, following the instructions found on the packaging.

Unpacking:

If the machine has not been damaged remove the plastic film from all the stainless-steel panels.

Important:

The various packaging should be kept away from children since this is potentially dangerous. Dispose of packaging according to the regulations from local authorities.

Loading:

1. When loading the unit, make sure front and rear vents inside the unit are left open and are not covered or blocked with drinks, trays, plates, or any other objects. The unit relies on airflow to ensure all shelves remain cold. By blocking the air vents, even partially, the air flow is restricted, and upper shelves will not reach the required temperature.
2. Do not fill the unit with room temperature product (warm drinks) unless you intend leaving the doors closed for a few hours to enable it to cool the drinks and recover temperature.

Positioning:

1. Do not install the machine in the area where it can be damaged by water.
2. This unit is intended for indoor use only.
3. Place machine on a horizontal and sturdy surface.
4. For good ventilation, keep a distance of 200mm between unit and wall or other objects. Increase the distance if the objects are near a heating source. When the display is in place, press the brake on the wheels to keep it level and secure.

Assembling

1. Remove the bottom pallet from the machine.
2. Put glass shelves on to the shelf support.
3. The unit has factory set temperature and does not need to be changed.

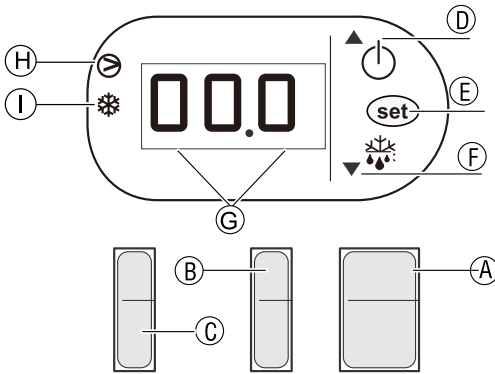
Electrical connection

Before inserting the plug in to the electrical socket, carefully read the following precautions:

1. Make sure that the machines properly connected to an efficient grounding system, in compliance with current safety standards.
2. Make sure that the voltage is in accordance with what indicated on the Rating Label applied on the back.

How To Use:

Before using, the machine should be cleaned carefully as it comes into contact with food .



- A Main Power Switch.** Illuminated switch turns the power ON or OFF to the equipment.
- B Glass heater Switch.** Switches the glass defrost ON or OFF.
- C Light Switch.** Switches the lights ON or OFF. And change the light color from warm white to cool white.
- D Multi-Function Button.** Depending on the mode, this button, turns the power ON or OFF to the controller or increases the temperature.
- E Set Button.** Switches the temperature setting mode ON or OFF.
- F Multi-Function Button.** Depending on the mode this button, activates the defrost function or decreases the temperature.
- G Display.** Displays the current temperature or the temperature being programmed.
- H Compressor Cycle Light.** Illuminates steadily when the compressor is running. Flashes when the compressor is in the delay cycle, this lasts for about two minutes and is a normal part.
- I Defrost Light.** Flashes when the equipment is in the defrost mode.

Prepared, Cold Food Display Use

1. Switch the main power switch (A) to the ON position.
2. Switch the light switch (C) to the ON position if desired.

Turn on the Controller

Press and hold the multi-function button (E) for three seconds. When the display shows a temperature, the controller is ON and will refrigerate.

Set the Temperature

1. Press and hold the (set) button for two seconds. The controller is now switched ON. The display flashes the programmed temperature.
2. To adjust the temperature, press the ▲/⏻ to increase the temperature, or press the ▼/❄️ to decrease the temperature.

-
3. Press the. **(set)** The number display is constant, showing the current temperature.
 4. The unit will now operate to the set temperature.
 5. Allow the display case to chill for approximately 30 minutes before placing food into the case.

Glass Heater (defrost) Function

1. Switch the glass heater switch **(B)** to the ON position.
2. When glass has defrosted, switch the glass defrost switch to the OFF position.

Case Defrost Function

1. Press and hold the multi-function button **▼/❄️** for three seconds. The defrost cycle will begin and the defrost light **(1)** will flash. The defrost cycle takes approximately two hours.
2. To manually stop, press and hold the multi-function button **▼/❄️** for three seconds. The defrost cycle will end.

The factory default value of set temp. is 2°C/ 35.6 °F

Maintenance:

Observe the ambient temperature

The machine is suitable for an ambient temperature ranging between 16°C~32°C /60.8°F~32°F

Cleaning

For health standard and good quality of beverages or foods, clean interiors of machine as often as possible

Caution:

Do not clean the machine by water jet

1. Before carrying out cleaning, remove the power plug
2. Do not use abrasive powders that might impair the interior parts of showcase
3. Use neutral soap and a little warm water to wash the interiors, Rinse carefully with water in order to remove any residual of soap
4. To maintain a high standard of working performance, leave the machine turned on night and day in order to avoid deposit

Caution:

Do not use any organic solvents (petrol, alcohol, etc) for cleaning the machine The case of the machine may be damaged and explosive vapours may develop Do not use any sharp edged objects for cleaning

The machine may be cleaned with a damp towel, but may never get in direct contact with water After cleaning the machine make sure that it will be dried completely

Instructions for Disposal

When replacing your old machine with a new one, please comply with the following information: Old machines are not worthless rubbish. Valuable raw materials can be reclaimed by recycling old machines.

Render old machine unusable:

1. Pull out the mains plug,
2. Cut off the mains cable and discard with the mains plug

Caution:

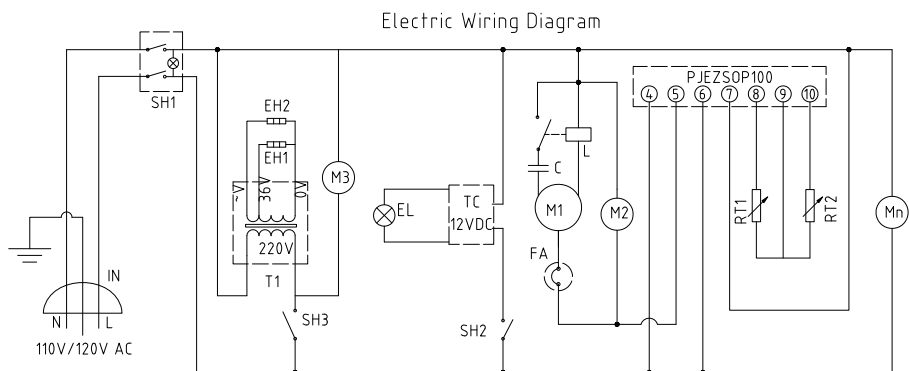
Refrigerants in refrigeration machines and gases in thermal insulation must be disposed of Professionally. Ensure that refrigeration tubing is not damaged prior to disposal. Please discard the machine according to the regulations from the local authorities.

Technical Specifications

Model	18MCER730V	18MCER740V	18MCER750V
Dimensions	90x68x121cm	120x68x121cm	150x68x121cm
Voltage	120V/60Hz	120V/60Hz	120V/60Hz
Capacity	285L	385L	485L
Temperature	35.6 ~46.4°F (2~8 °C)	35.6 ~46.4°F (2~8 °C)	35.6 ~46.4°F (2~8 °C)
Weight	145KG	175KG	210KG
Refrigerant	R290	R290	R290
Plug Type	NEMA Config 5-15P	NEMA Config 5-15P	NEMA Config 5-15P

Model	18MCEK730A	18MCEK740A	18MCEK750A
Dimensions	90x68x121cm	120x68x121cm	150x68x121cm
Voltage	120V/60Hz	120V/60Hz	120V/60Hz
Capacity	220L	300L	370L
Temperature	35.6 ~46.4°F (2~8 °C)	35.6 ~46.4°F (2~8 °C)	35.6 ~46.4°F (2~8 °C)
Weight	145KG	175KG	210KG
Refrigerant	R290	R290	R290
Plug Type	NEMA Config 5-15P	NEMA Config 5-15P	NEMA Config 5-15P

Working principle diagram



SH1 POWER SWITCH

SH2 SWITCH OF LIGHT

SH3 SWITCH OF HEATING WIRE

PJEZSOP000 THERMOSTAT

TC AC/DC TRANSFORMER

EH2 HEATING WIRE OF FRONT GLASSES

EL LIGHT

FA OVERLOAD PROTECTOR

M1 COMPRESSOR

M2 CONDENSER MOTOR FAN

M3 ANTIFOG MOTOR FAN

RT1 SENSOR OF CABINET TEMP.

RT2 SENSOR FOR DEFROSTING

Mn EVAPORATOR MOTOR FAN

T1 TRANSFORMER OF HEATING WIRE

EH1 HEATING WIRE OF DOOR

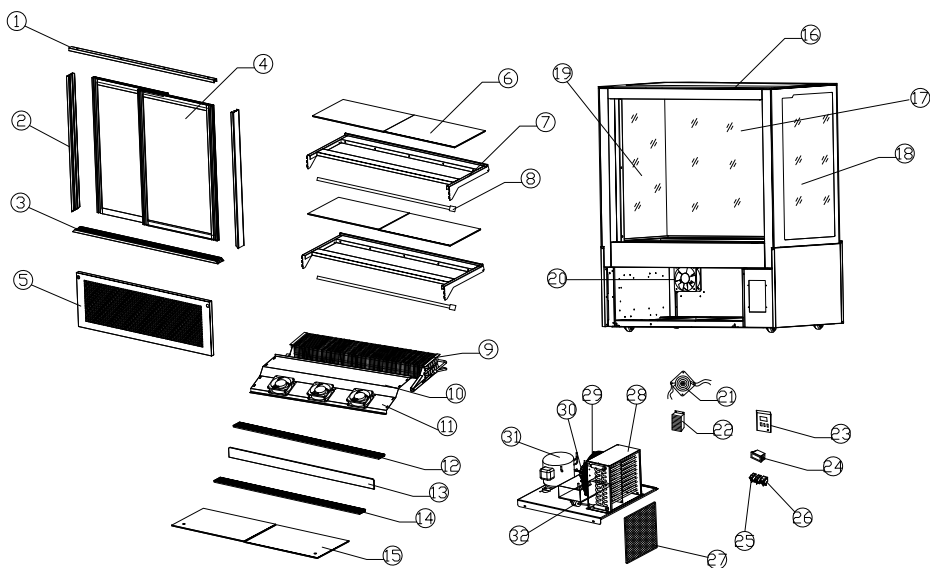
Trouble Shooting:

Symptom	Possible reasons	Solution	Remark
•No power input/power direction lamp is not light	<ul style="list-style-type: none"> • Broken fuse • Poor contact of plug and socket • Failure in input control circuit 	<ul style="list-style-type: none"> • Replace • Repair or replace the socket 	Ask for authorized service department to check and repair
• Compressor does not work	<ul style="list-style-type: none"> • Thermostat does not work • Thermostat is not on the working position • Poor contract of the thermostat • Lose plug pins of the starter • Broken compressor • Broken starter capacitor 	<ul style="list-style-type: none"> • Replace • Turning to the working position • Insert the plug tightly • Replace • Repair or replace 	
• Compressor run the temperature in the showcase is high	<ul style="list-style-type: none"> • Ambient temperature is too high. • Too much dust and dirt on the condenser • Frost on the evaporator is too thick • Thermostat out of work 	<ul style="list-style-type: none"> • Adjust the thermostat properly • Clean it on time • Stop the machine to defrost. Set the temperature properly higher • Replace 	Ask for authorized service department to check and repair it.
• Condenser fan does not run	<ul style="list-style-type: none"> • The capacitor of the fan out of work • The ball-bearing of the fan motor is lack of oil • The winding of the fan motor damaged 	<ul style="list-style-type: none"> • Replace Fill oil Replace 	
• Compressor Starts/stops frequently	<ul style="list-style-type: none"> • The winding of the compressor is short circuit 	<ul style="list-style-type: none"> • Check with a multi-meter, replace the compressor 	
• The fan of the evaporator does not work	<ul style="list-style-type: none"> • Poor contact of the socket • The fan motor damaged 	<ul style="list-style-type: none"> • Repair or replace • Replace 	

Warning: If the machine has any problem or has been damaged, do not try to repair or replace it by yourself. Please ask for the authorized service department for help.

Structure diagram

- | | | |
|--------------------------|----------------------------|--|
| 1. Upper rail | 12. Front s/s air grill | 23. Control panel |
| 2. Side rail | 13. Front windshield glass | 24. Controller |
| 3. Down rail | 14. Rear s/s air grill | 25. Demist fan motor switch/
Light switch |
| 4. Sliding door | 15. Bottom glass shelf | 26. Power Switch |
| 5. Ventilation board | 16. Top glass | 27. Dust screen |
| 6. Glass shelf | 17. Front glass | 28. Condenser |
| 7. Shelf bracket | 18. Left side glass | 29. Condenser fan guard |
| 8. LED light | 19. Right side glass | 30. Condenser fan motor |
| 9. Evaporator | 20. Demist fan motor | 31. Compressor |
| 10. Evaporator cover | 21. Transformer | 32. Filter |
| 11. Evaporator fan motor | 22. Power supply | |





Distributed by masterchefpr.com



☎ 787788-2264 787788-2269 787275-1643

📞 787308-2132

Royal industrial Park 500 carr 869
suite 1003 Catano, PR 00966

✉ ventas@masterchefpr.com