



STAINLESS STEEL

Lpg gas countertop fryer

MATERIAL:

- 22GA.430S/S front, top and header
- 22GA.430S/S door with integral liner & recessed handle
- 22GA.430S/S sides and back
- 16GA.304S/S tube style tank with peened finish
- 16GA.430S/S basket hook on the front
- 6" stainless steel legs with 1" adjustability



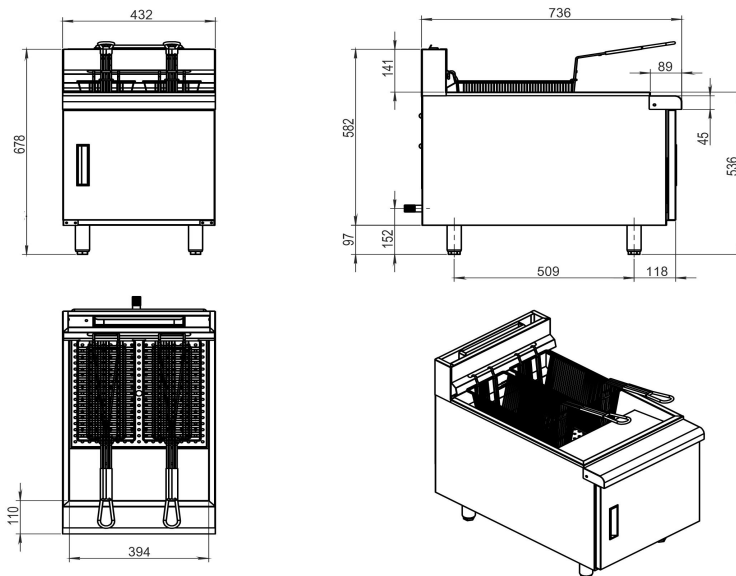
MECHANICAL:

- 13,000 BTU per burner, 4 burners, totally 52,000 BTU
- Thermostat with a temperature range of 200 F to 400 F
- Liquid propane 30 lbs
- Piezo ignition and pilot light with a flame failure device system
- Cold zone in fry tank
- Two nickel chrome wire mesh fry baskets with black plastic coated handles
- 1-1/4" full-port drain valve for easy cleaning
- 6" stainless steel legs with 1" adjustability
- LPG gas and NG gas are optional
- Wooden crate and carton box packing

DIMENSIONS and SPECIFICATIONS

MODEL	SIZE	N.W.
18MCSGCF-4LP	29"X17"X26-13/16"H	83 lbs.

SPEC DRAWING:



Distributed by masterchefpr.com

Tel: 787 788-2264 / 787 788-2269 / 787 275-1643